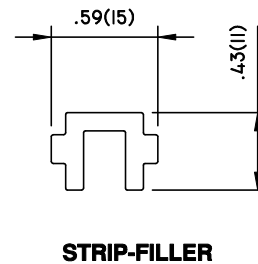
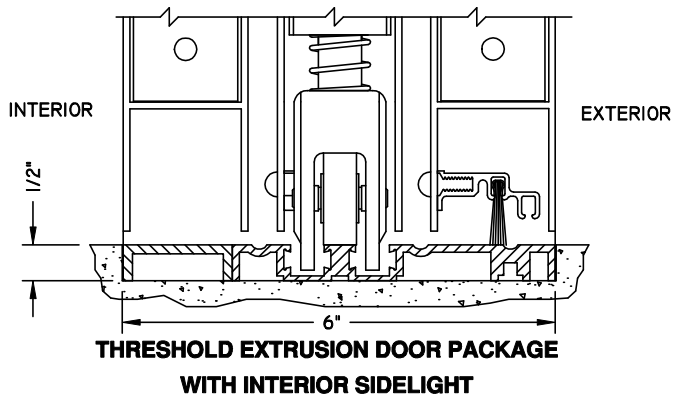


NOTE: 1. RECESSED THRESHOLD TRACK REQUIRED AT "SO" PANEL(S) ONLY. RECESS SHALL INCLUDE EACH JAMB TUBE AS WELL. RECESS IS 1/2" IN DEPTH x 4 5/8" IN WIDTH. LENGTH IS DETERMINED BY "SO" PANEL WIDTH.

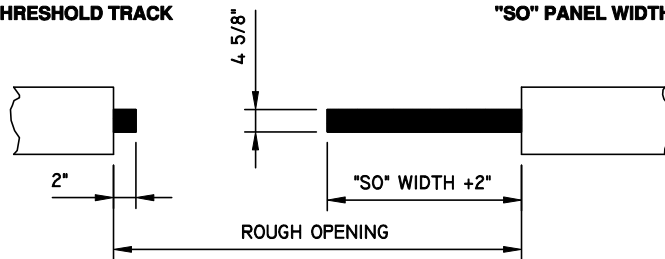
2. CONTINUOUS RECESSED THRESHOLD TRACK IS OPTIONAL. FILLER STRIP IS USED AT SLIDING DOOR OPENING

3. AT DOOR PACKAGE(S) WITH INTERIOR SIDELIGHT - RECESS IS 6 1/8" IN WIDTH.



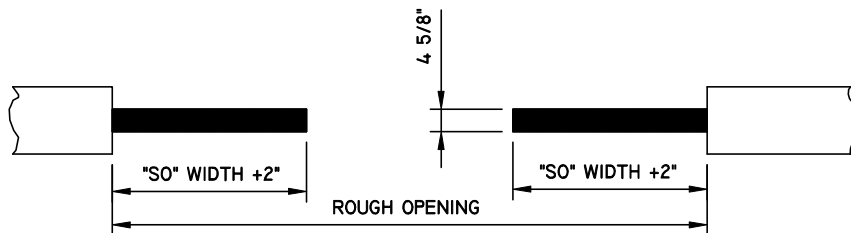
**PLAN**  
**FOR SINGLE SLIDE RECESSED THRESHOLD TRACK**

**SINGLE SLIDE**  
**"SO" PANEL WIDTH = 1/2" PACKAGE WIDTH - 9/16"**

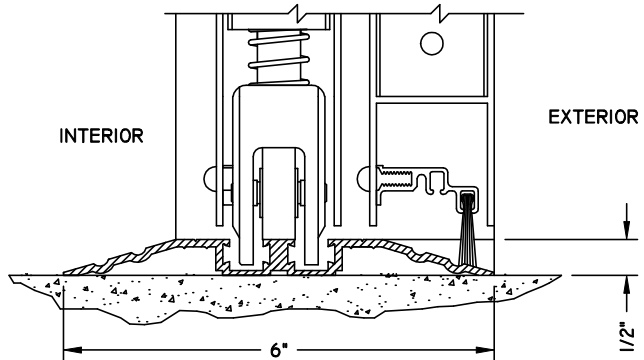


**PLAN**  
**FOR BI-PART RECESSED THRESHOLD TRACK**

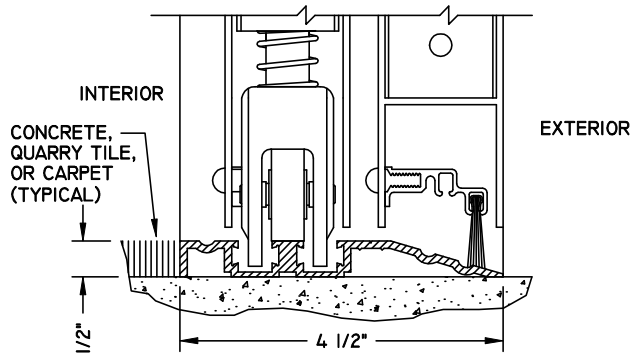
**BI-PART**  
**"SO" PANEL WIDTH = 1/4" PACKAGE WIDTH + 3/8"**



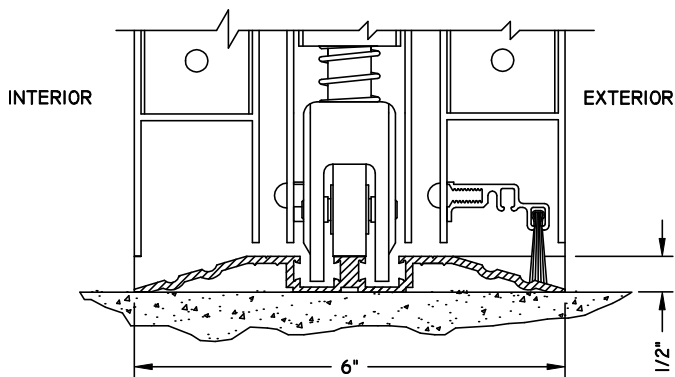
NOTE: FORMULAS GIVEN FOR NARROW STILE PACKAGES. PLEASE REFER TO APPENDIX FOR FORMULAS FOR MEDIUM STILE PACKAGES.



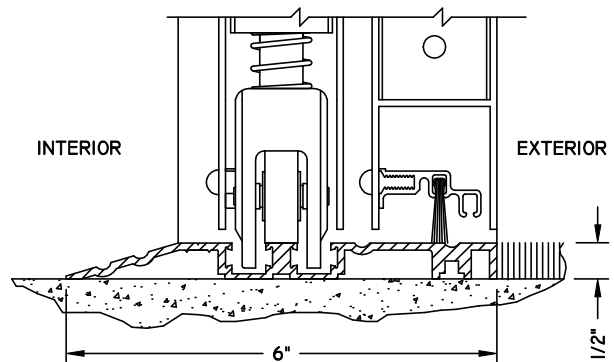
**THRESHOLD-TAPERED EXTRUSION**  
**4 1/2" FRAME**  
(DOUBLE BEVEL THROUGHOUT DOOR OPENING)



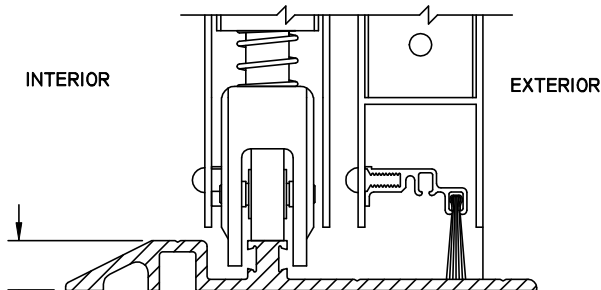
**THRESHOLD-TAPERED EXTRUSION**  
**4 1/2" FRAME**



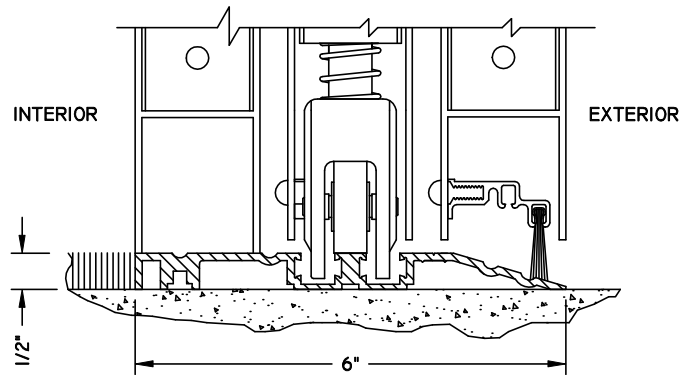
**THRESHOLD-TAPERED EXTRUSION**  
**6" FRAME**  
(DOUBLE BEVEL THROUGHOUT DOOR OPENING)



**THRESHOLD-ONE SIDE TAPERED**  
**4 1/2" FRAME**



**THRESHOLD-SURFACE MOUNT**  
(AT "SO" PANELS ONLY)



**THRESHOLD-ONE SIDE TAPERED**  
**6" FRAME**