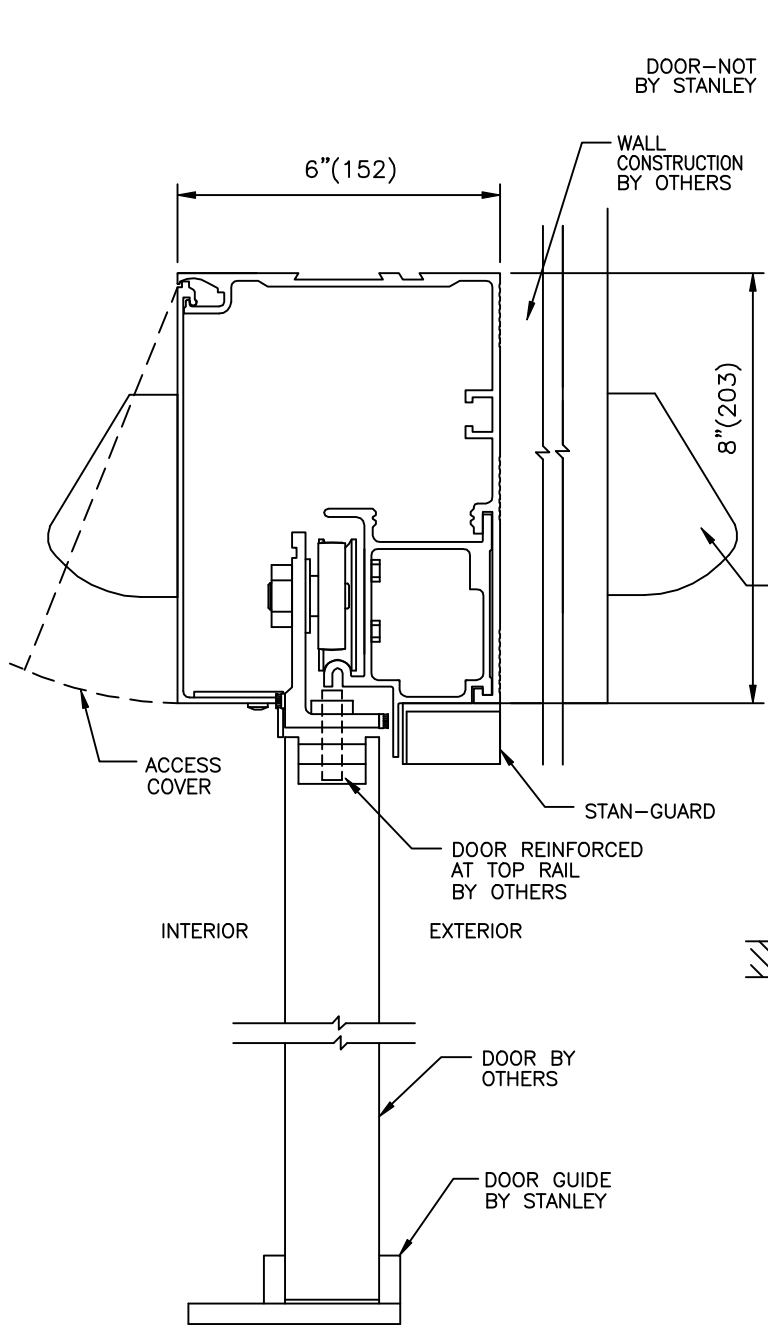


STANLEY

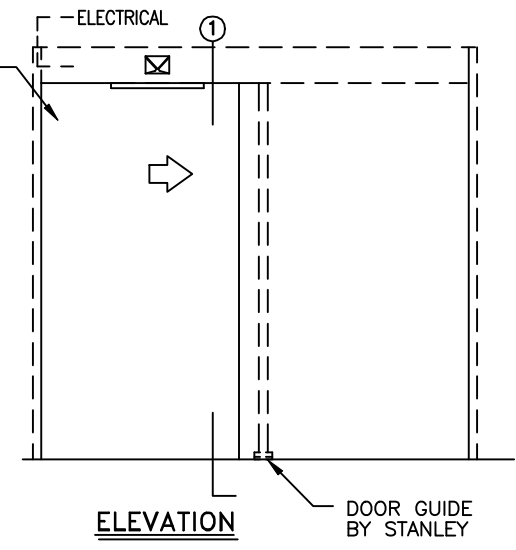
JOB NAME _____
LOCATION _____
DOOR NUMBER _____
SHEET _____ OF _____

**DURA-GLIDE
3000**
UTILITY PACKAGE
RIGHT HAND
SINGLE SLIDE

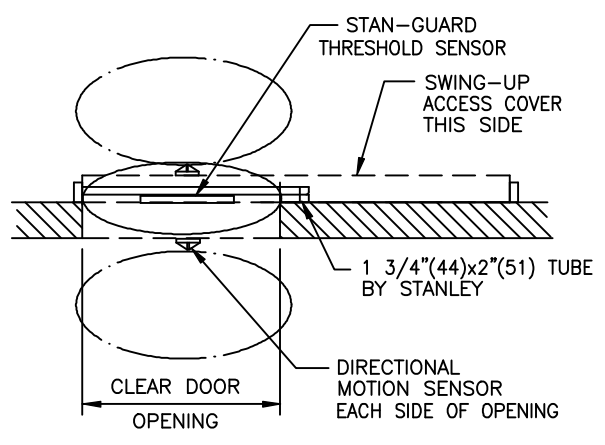
STANLEY DOOR PACKAGES ARE INDIVIDUALLY
ENGINEERED TO FIT YOUR JOB REQUIREMENTS



① SECTION



ELEVATION



PLAN

- NOTES:
- 1. DETAILS NOT TO SCALE.
 - 2. JAMBS ARE SUPPLIED BUT NOT REQUIRED FOR INSTALLATION.