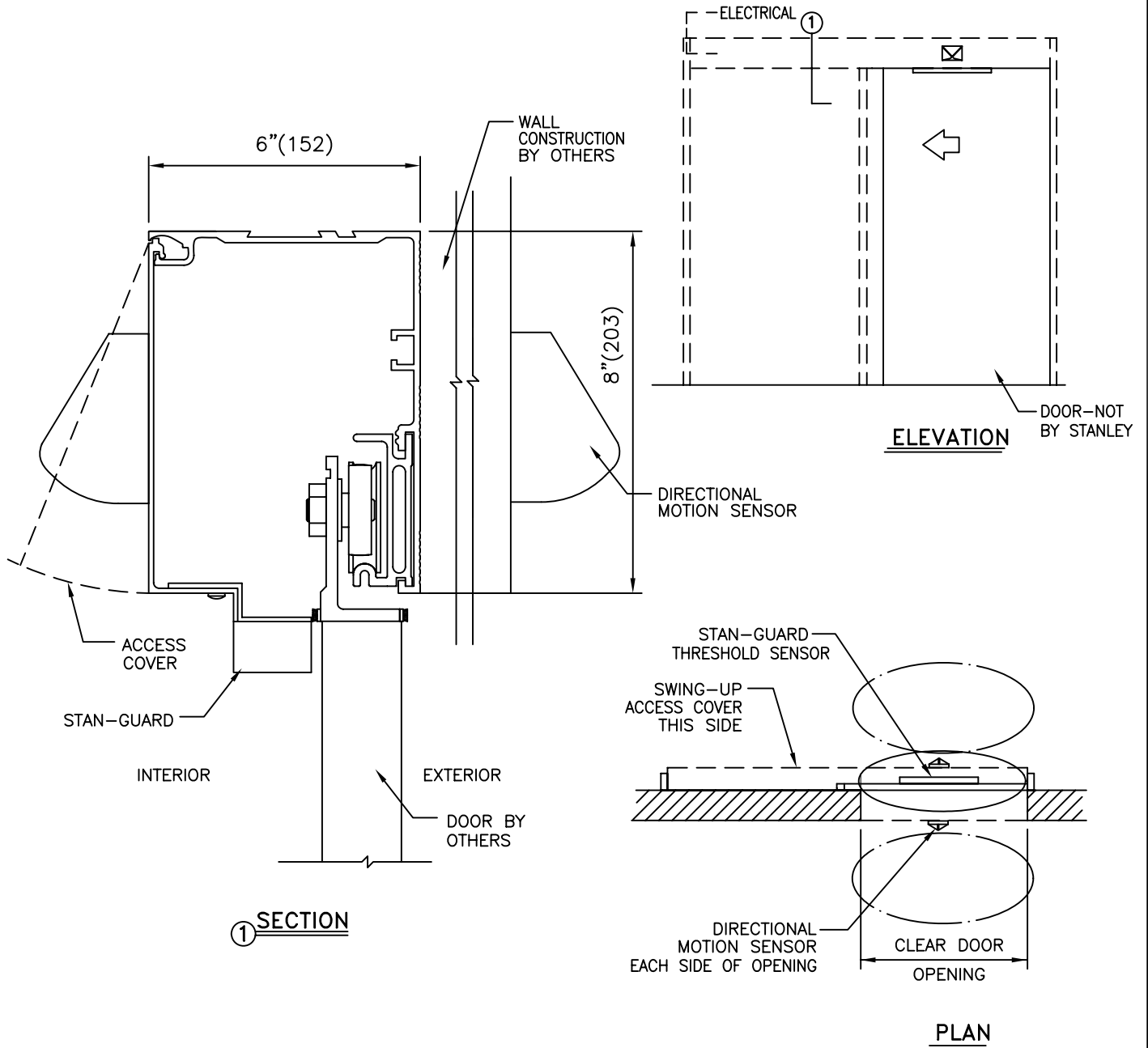


STANLEY

JOB NAME _____
LOCATION _____
DOOR NUMBER _____
SHEET _____ OF _____

DURA-GLIDE
3000
UTILITY PACKAGE
FLUSH MOUNT
L.H. SINGLE SLIDE

STANLEY DOOR PACKAGES ARE INDIVIDUALLY
ENGINEERED TO FIT YOUR JOB REQUIREMENTS



NOTES:

1. DETAILS NOT TO SCALE.
2. DOOR GUIDE RECOMMENDED.
(NOT SUPPLIED BY STANLEY)