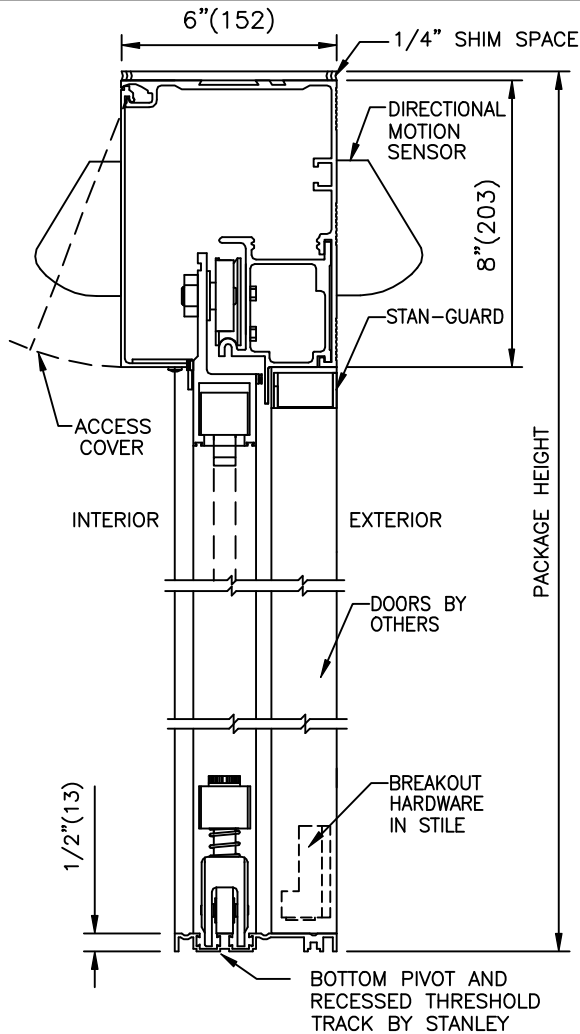


STANLEY

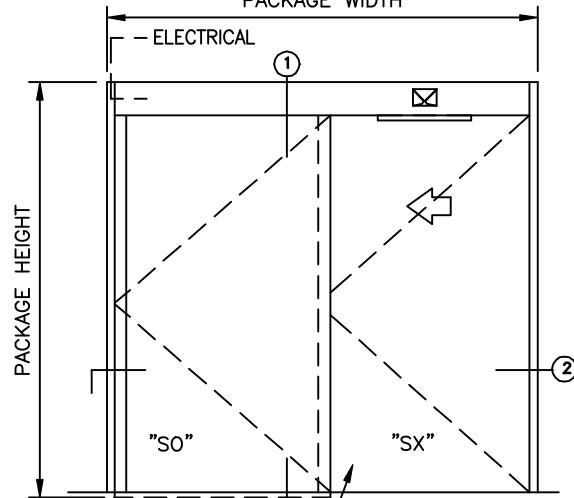
JOB NAME _____
 LOCATION _____
 DOOR NUMBER _____
 SHEET _____ OF _____

**DURA-GLIDE
 3000**
 DESIGNER PACKAGE
 LEFT HAND
 SINGLE SLIDE



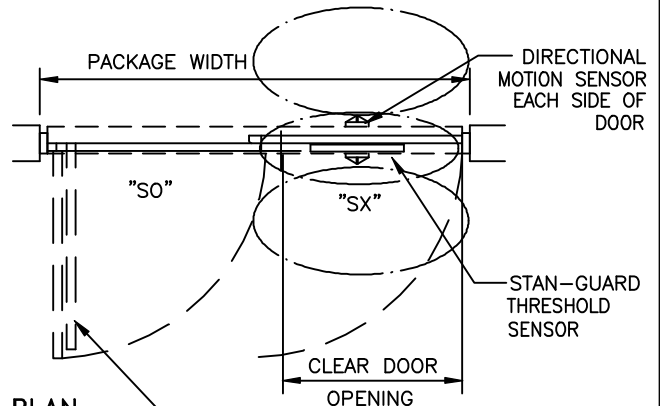
1 VERTICAL SECTION

STANLEY DOOR PACKAGES ARE INDIVIDUALLY
 ENGINEERED TO FIT YOUR JOB REQUIREMENTS
 PACKAGE WIDTH

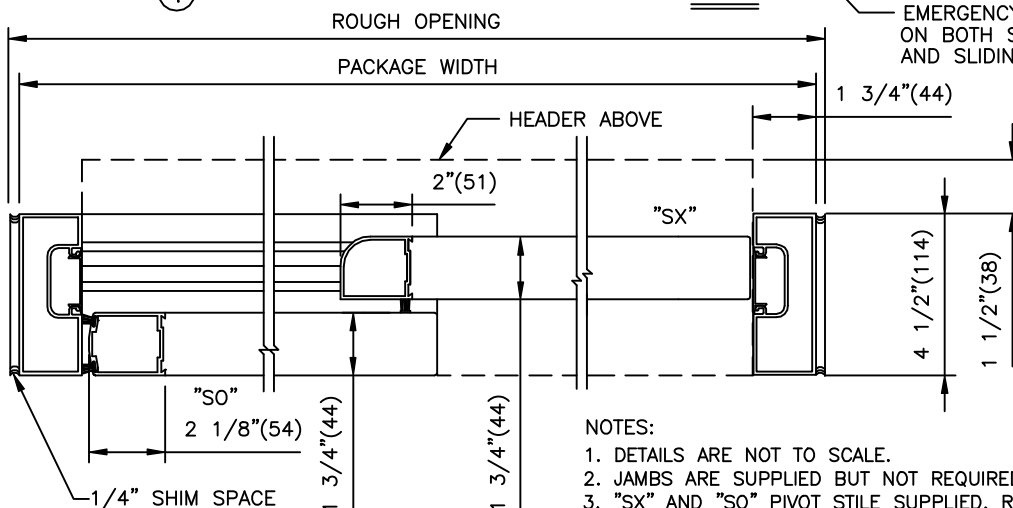


ELEVATION

PANEL & DOOR BY OTHERS
 ("SX" & "SO" PIVOT STILE
 SUPPLIED BY STANLEY)



PLAN



2 HORIZONTAL SECTION

NOTES:

1. DETAILS ARE NOT TO SCALE.
2. JAMBS ARE SUPPLIED BUT NOT REQUIRED FOR INSTALLATION.
3. "SX" AND "SO" PIVOT STILE SUPPLIED, REMAINDER OF DOOR AND PANEL BY OTHERS.
4. DOOR PANEL PREPARATION BY OTHERS FOR BREAKOUT HARDWARE.
5. NOT RECOMMENDED FOR SECURED APPLICATIONS WITH REQUIRED EMERGENCY EGRESS.