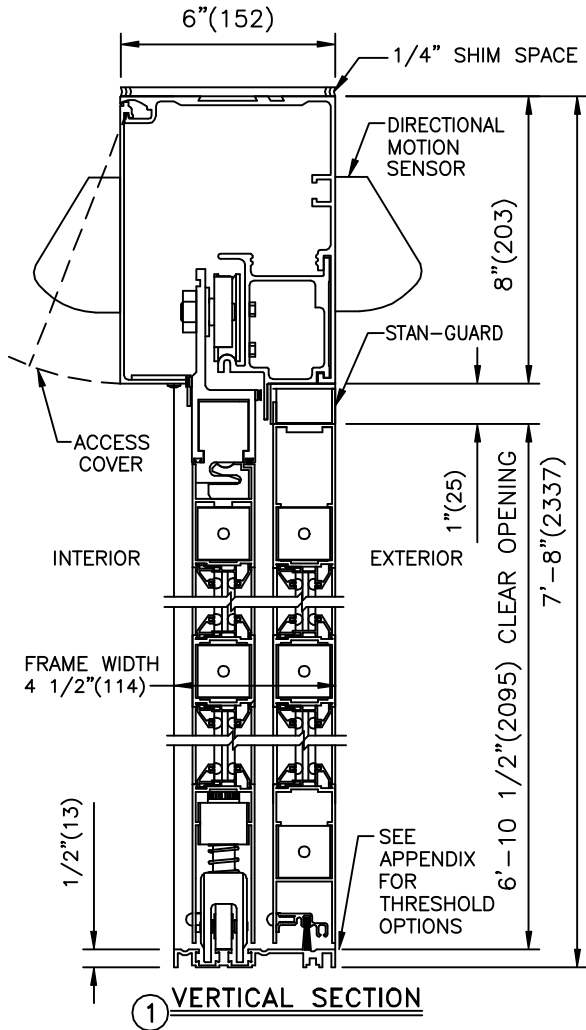


STANLEY

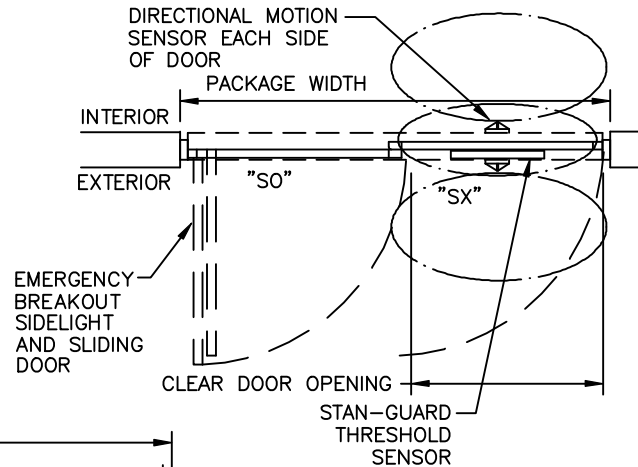
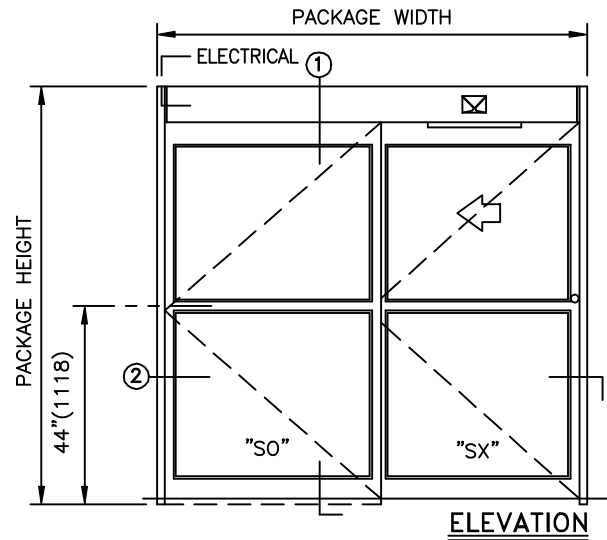
JOB NAME _____
 LOCATION _____
 DOOR NUMBER _____
 SHEET _____ OF _____

**DURA-GLIDE
 3000**
 LEFT HAND
 SINGLE SLIDE

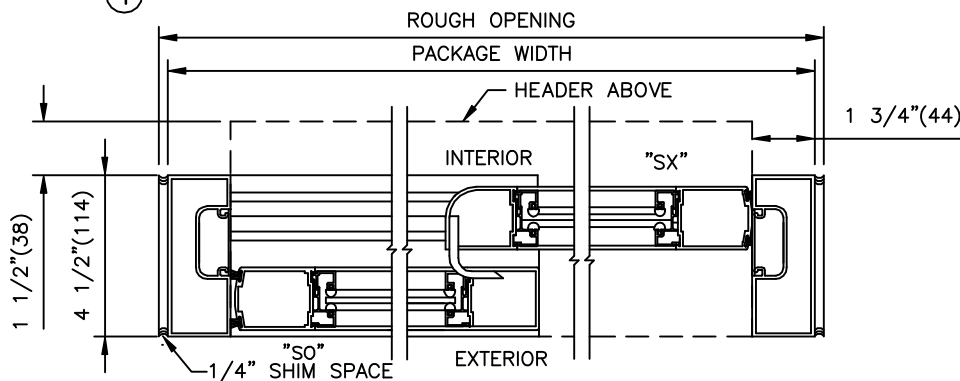


① **VERTICAL SECTION**

STANLEY DOOR PACKAGES ARE INDIVIDUALLY ENGINEERED TO FIT YOUR JOB REQUIREMENTS



PLAN



② **HORIZONTAL SECTION**

SAMPLE PACKAGE WIDTH INFORMATION

PKG. WIDTH	NOMINAL CLEAR DOOR OPENING	SLIDING DOOR / PANEL NOM. WIDTH	EMERGENCY BREAKOUT NOM. WIDTH
7'-0"	36"	41 1/2"	75"
8'-0"	42"	47 1/2"	87"
9'-0"	48"	53 1/2"	99"

NOTES:

1. DETAILS NOT TO SCALE.
2. ELECTRICAL REQUIREMENTS:
 120VAC, 5AMPS MIN. TO OPERATOR BY ELECTRICAL CONTRACTOR.
3. SEE APPENDIX FOR ADDITIONAL INFORMATION.

SINGLE SLIDE FORMULAS

PACKAGE WIDTH = 2 X CLEAR DOOR OPENING + 13 5/8"
 CLEAR DOOR OPENING = 1/2 PACKAGE WIDTH - 6 13/16"
 EMERGENCY BREAKOUT WIDTH = PACKAGE WIDTH - 9"
 DOOR PANEL WIDTH = 1/2 PACKAGE WIDTH - 9/16"