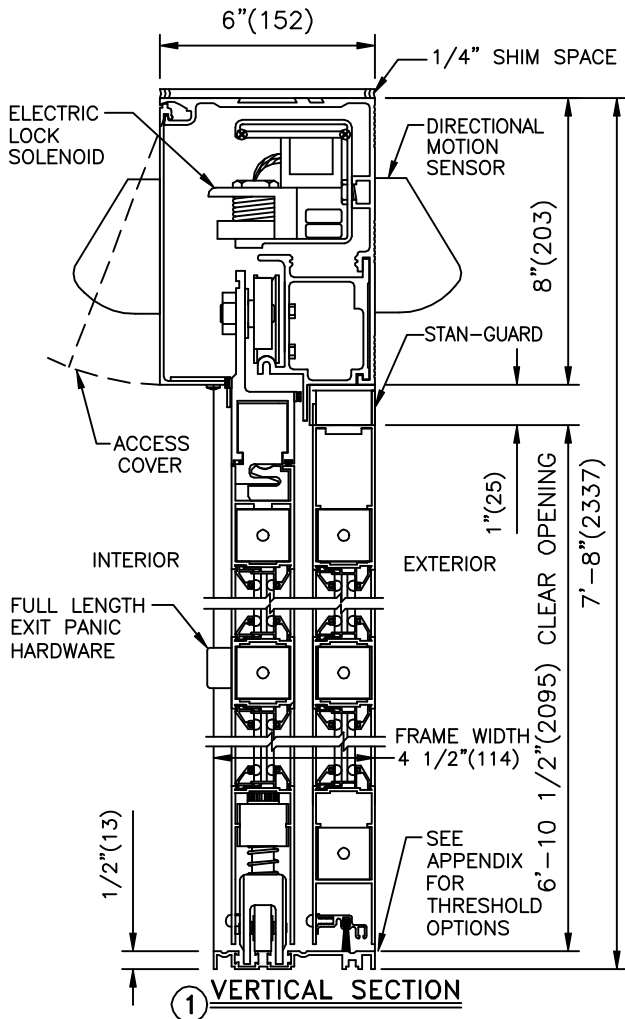


**STANLEY**

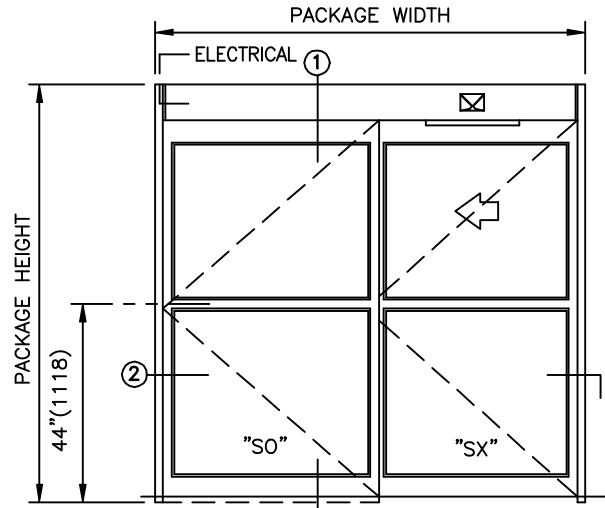
JOB NAME \_\_\_\_\_  
 LOCATION \_\_\_\_\_  
 DOOR NUMBER \_\_\_\_\_  
 SHEET \_\_\_\_\_ OF \_\_\_\_\_

**DURA-GLIDE  
 3000**  
 LEFT HAND  
 SINGLE SLIDE WITH  
 AUTOMATIC LOCKING

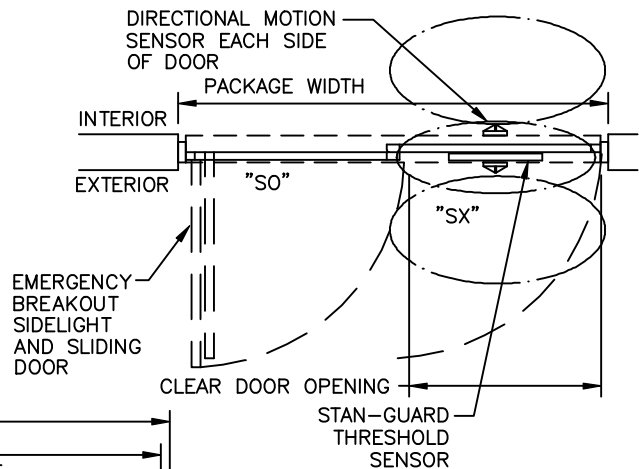


**1 VERTICAL SECTION**

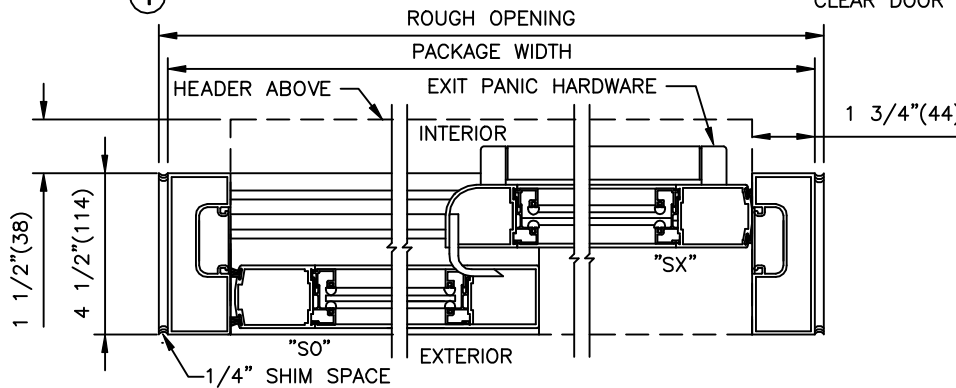
STANLEY DOOR PACKAGES ARE INDIVIDUALLY ENGINEERED TO FIT YOUR JOB REQUIREMENTS



**ELEVATION**



**PLAN**



**2 HORIZONTAL SECTION**

**SAMPLE PACKAGE WIDTH INFORMATION**

PKG. WIDTH	NOMINAL CLEAR DOOR OPENING	SLIDING DOOR / PANEL NOM. WIDTH	EMERGENCY BREAKOUT NOM. WIDTH
7'-0"	36"	41 1/2"	75"
8'-0"	42"	47 1/2"	87"
9'-0"	48"	53 1/2"	99"

**NOTES:**

1. DETAILS NOT TO SCALE.
2. ELECTRICAL REQUIREMENTS:  
 120VAC, 5AMPS MIN. TO OPERATOR BY ELECTRICAL CONTRACTOR.
3. SEE APPENDIX FOR ADDITIONAL INFORMATION.

**SINGLE SLIDE FORMULAS**

PACKAGE WIDTH = 2 X CLEAR DOOR OPENING + 13 5/8"

CLEAR DOOR OPENING = 1/2 PACKAGE WIDTH - 6 13/16"

EMERGENCY BREAKOUT WIDTH = PACKAGE WIDTH - 9"

DOOR PANEL WIDTH = 1/2 PACKAGE WIDTH - 9/16"