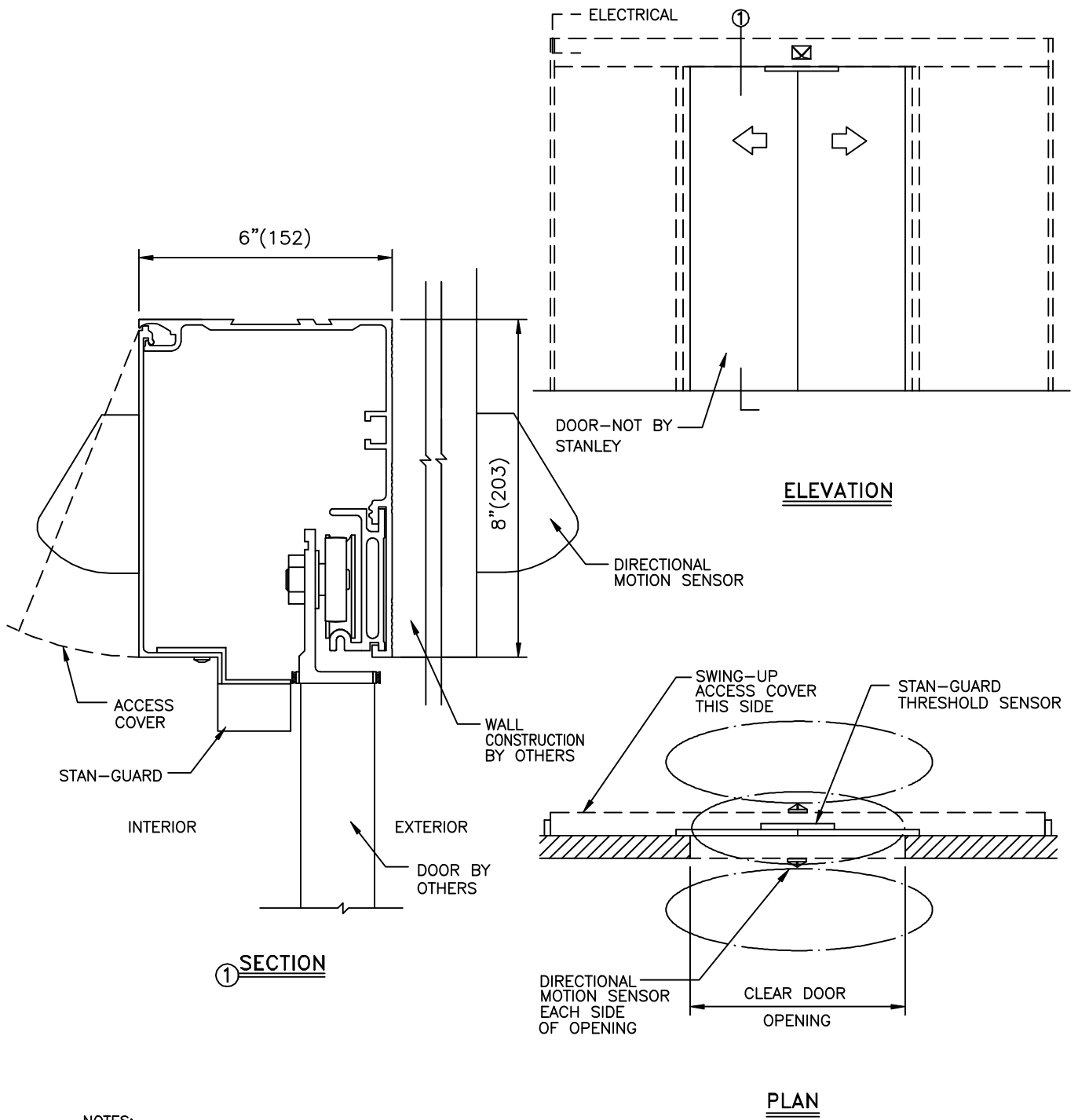


**STANLEY**

JOB NAME \_\_\_\_\_  
LOCATION \_\_\_\_\_  
DOOR NUMBER \_\_\_\_\_  
SHEET \_\_\_\_\_ OF \_\_\_\_\_

**DURA-GLIDE  
3000**  
UTILITY PACKAGE  
FLUSH MOUNT  
BI-PART

STANLEY DOOR PACKAGES ARE INDIVIDUALLY  
ENGINEERED TO FIT YOUR JOB REQUIREMENTS



- NOTES:
- 1. DETAILS NOT TO SCALE.
  - 2. DOOR GUIDE RECOMMENDED (NOT SUPPLIED BY STANLEY).